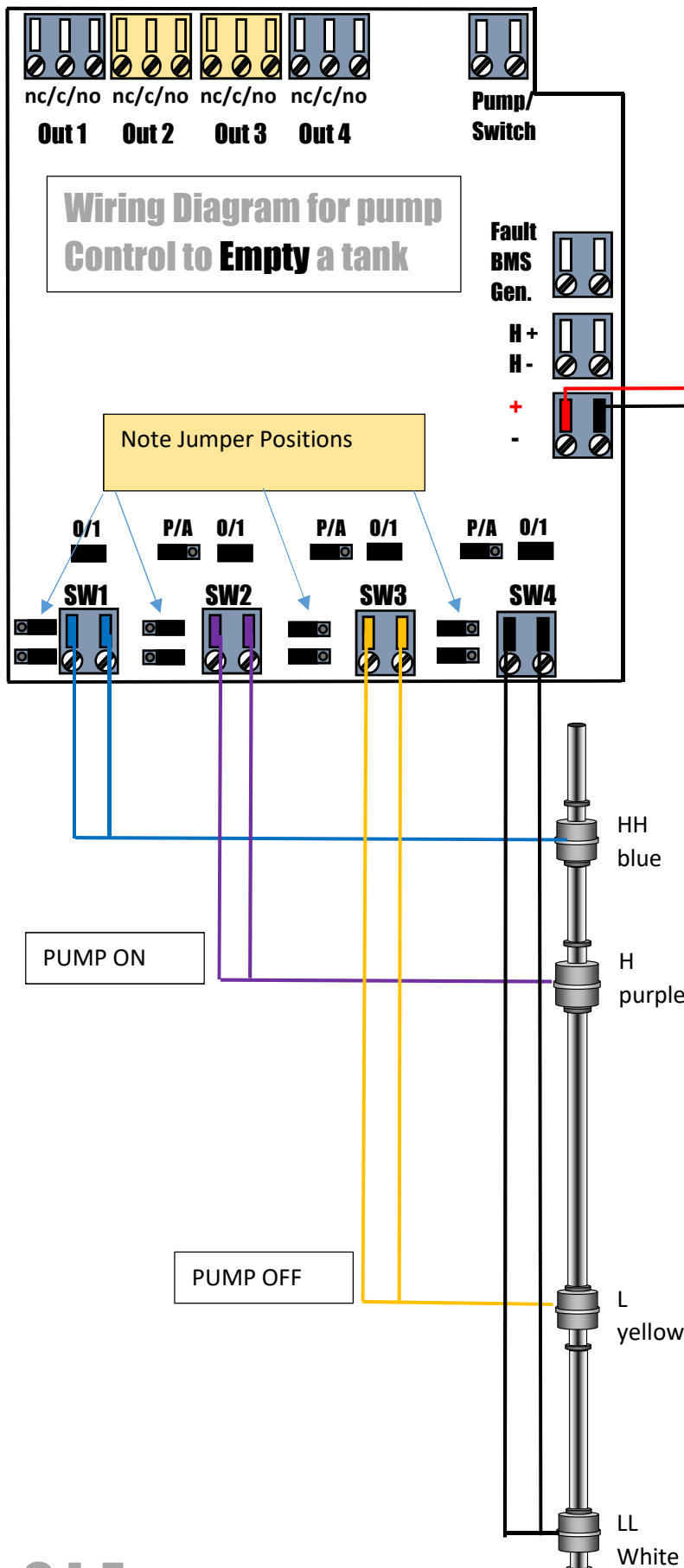


T4000 Wiring Diagram Setting for WASTE Tank Control

O.L.E.



O.L.E. (UK) LTD

Instrumentation engineering

www.oleuk.com e-mail sales@oleuk.com

Power Supply

Units are supplied with either 24vdc direct connection, or 100/240 Vac power supply.

Power supply connection can be made by removing the mounting bracket screws temporarily



Connection Settings.

1/ Float switches from OLE are closed (NC), when they are in the DOWN position.

2/ The T4000 inputs can be switched from NC to NO as required using the 2 jumpers on each circuit.

3/ The 0/1 jumper can be removed to disable the Alarm circuit. (No LED)

4/ The P and A jumper are for when the system is being used as a Pump controller or as an Alarm.

5/ H+ H- is for an Audible Alarm that will activate when Flashing RED condition is present. (This is the supply voltage so 24vdc)

• Operation:

1/ When lights are GREEN = No Alarm

2/ When Lights Flash RED = Alarm / problem.

(ORANGE = PUMP ON)

3/ When the Acko button is pressed the Lights changed to fixed RED. This Auto resets when Alarm condition is removed.

4/ The BMS output (MC) changes condition (Volt Free) when any of the alarms are flashing red or solid red.

5/ The P and A jumper are for when the system is being used as a Pump controller or as an Alarm.

6/ When in Pump Control mode, Relay OUTPUTS 2 and 3 are NOT operational

7/ When Input 4 is in "P" (Pump Control) this also SHUTS DOWN the PUMP CIRCUIT **FAIL SAFE AVOID RUN DRY**

RELAYS RATED AT 240 VAC 10 AMPS